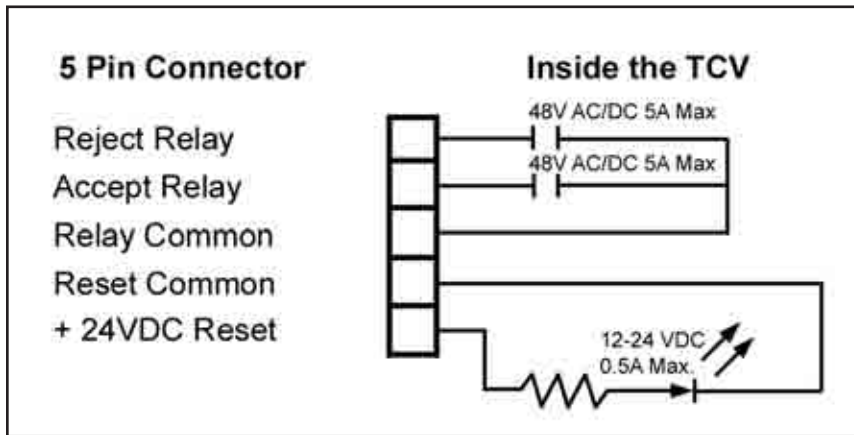


### 3.4 Connecting Peripheral Devices

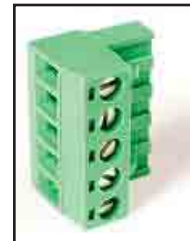
The TCV has relay outputs and an optically isolated RESET input. All of the relays can be accessed through the 5-Pin Connector on the bottom of the Cabinet. The TCV also has a serial port labeled "RS232". The serial port is used to connect to a personal computer or lap-top computer running the TCV software to accomplish programming of TCV parameters.

The circuit diagram below is that for the relays.



The TCV Input/Output control system is designed primarily for use with 24VDC systems. Follow all national and state electrical codes and regulations when connecting peripheral devices to the TCV. Do not exceed the voltages and amperages shown above.

Connect the wires from the peripheral devices to the TCV via the external 5-Pin Connector. This connector has screw clamps for the wire for each pin.



# **WESTEC**<sup>®</sup> - Sales & Services In India

Office No. 12, 1st Floor, Hermes Atrium,  
B wing, Plot 57, Sector – 11,  
CBD Belapur, Navi Mumbai – 400 614

Mob: 9821 0327 20 | Tel:+91-22-2756 6533  
Telefax: +91-22-2756 6534 | Website - <http://westec-india.com/>  
E-mail: [westecnavimumbai@vsnl.net](mailto:westecnavimumbai@vsnl.net)