

24VDC Input/Output Communications

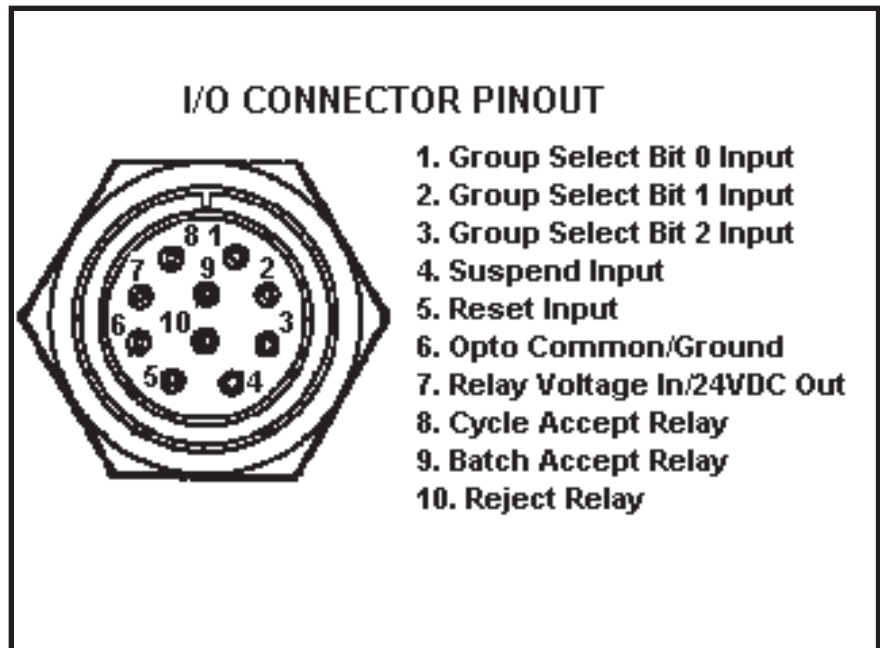
The Global 8 provides a 10-pin receptacle for accessing I/O and relays for use with 24VDC control systems and components. The system permits selecting the groups in the Global 8 through inputs as well as using the Global 8 outputs to trigger external events.

The contacts are supplied in a non-energized state. Only 24 VDC systems should be used with the Global 8; it is not designed to handle higher voltages.

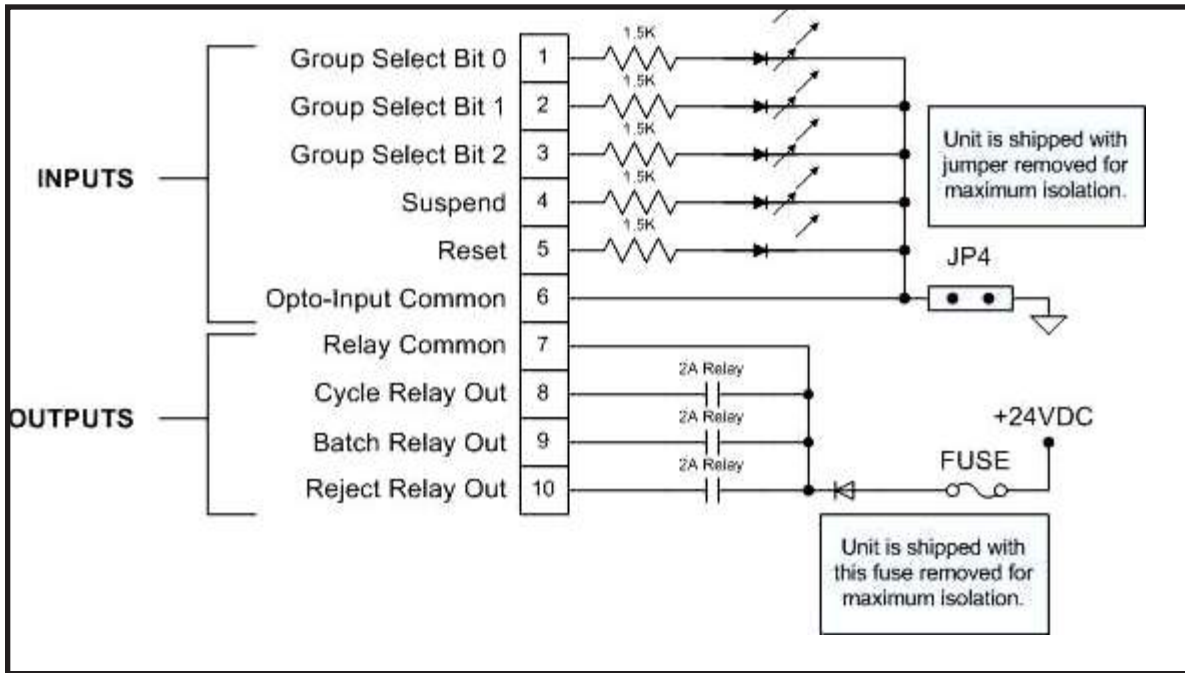
The Input/Output connector pin functions are as shown in the diagram to the right. This diagram is also accessible through the menu system via the following procedure:

1. At the main operating screen, press the soft key for the MORE button.
2. At the first menu screen, press the soft key for the MORE OPTIONS button.
3. At the second menu screen, press the soft key for the MORE OPTIONS button.
4. At the third menu screen, press the soft key for the I/O CONNECTOR button. This will display the image above. Press any soft key to exit this screen. Note: A convenience feature has been added to this section. Pressing the More Options button again will display a color-coded wiring diagram for the optional mating S/R cable. (S/R P/N 10474)

The pin numbers are also on the connector alongside the hole for each pin. The connector is a Hirose RM15TRD-10S(71) or equivalent. The mating connector for the installed receptacle is a Hirose RM-15TPD-10P or equivalent.

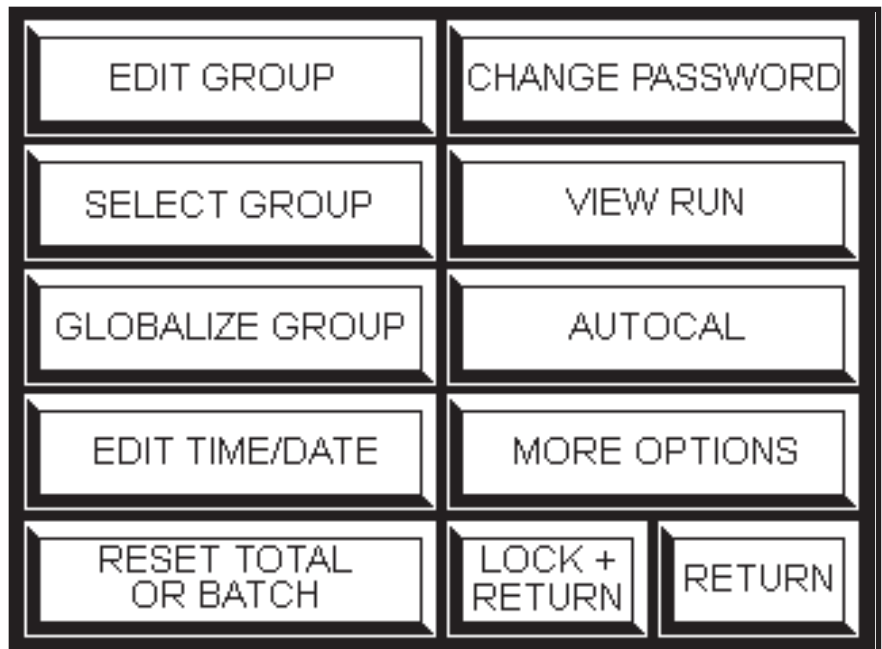


The pins are connected as shown in the circuit diagram below.

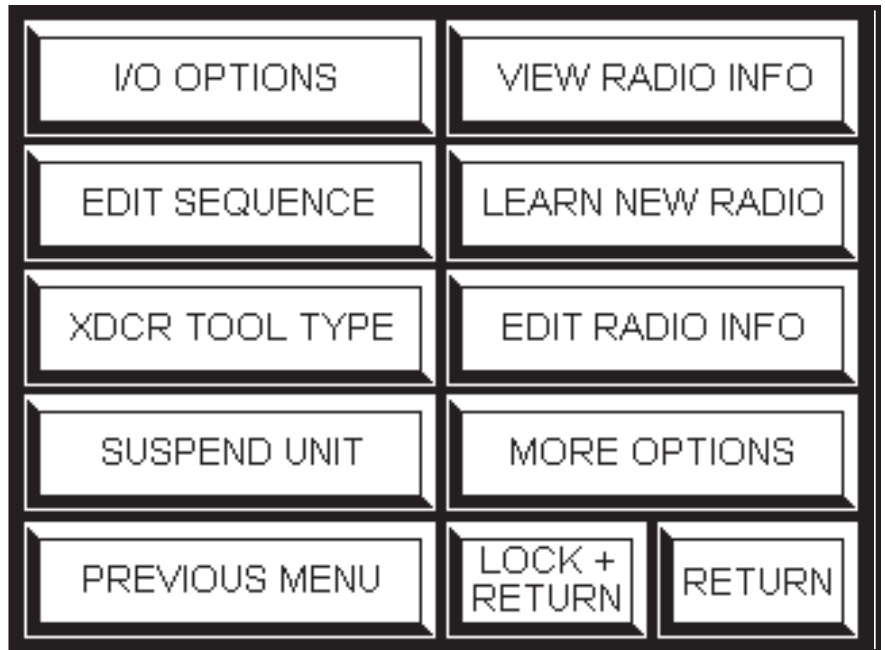


The settings for the Input/Output system are programmed through the user interface. To access the settings for the various options use the following procedure:

1. From the main screen, press the soft key for the MORE button.
2. At the first menu screen, press the soft key for the MORE OPTIONS button.

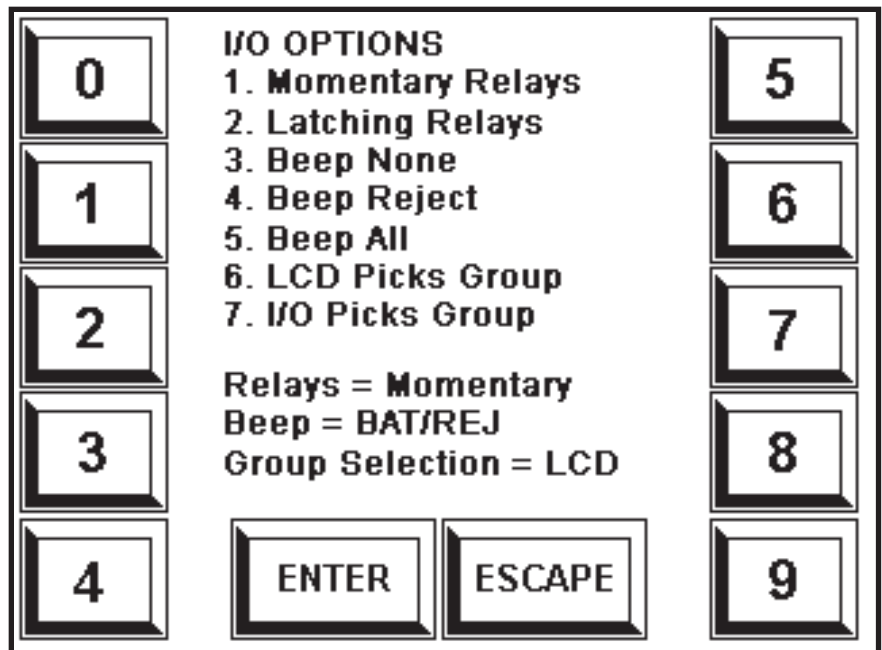


3. At the second menu screen, press the soft key for the I/O OPTIONS button.



4. The I/O Options screen will open. Each option applicable to the Input/Output system has a number associated with the option. There is also a set of number buttons for use in selecting and applying the associated option.

At the bottom, the screen shows the current settings for the relays, the beep, and how the active group is selected.



The relays inside the Global 8 can be set to be either momentary or latching. If set to momentary, the relays will be closed for 200ms every time an event (completion of a cycle, completion of a batch, or the occurrence of a reject) occurs.

The relays can also be set to latching. When set to latch, they will remain energized until the next event occurs or until a batch reset command is issued.

The beeper can be turned off, set to activate for rejected cycles only, or set to activate on all events. The selection is made by choosing the applicable associated number.

Groups (specification sets) can be selected through the user interface or through the input/output system.

When the selections have been made, press the soft key for the ENTER button to save and apply the selections. Press the soft key for the ESCAPE button to exit input/output system programming without saving new selections or changes.

To use the input/output system to set the active group, use the Group Select Chart below to set the active group.

<u>Group</u>	<u>Group 0 Input</u>	<u>Group 1 Input</u>	<u>Group 2 Input</u>
A	0VDC	0VDC	0VDC
B	0VDC	0VDC	24VDC
C	0VDC	24VDC	0VDC
D	0VDC	24VDC	24VDC
E	24VDC	0VDC	0VDC
F	24VDC	0VDC	24VDC
G	24VDC	24VDC	0VDC
H	24VDC	24VDC	24VDC

WESTEC[®] - Sales & Services In India

Office No. 12, 1st Floor, Hermes Atrium,
B wing, Plot 57, Sector – 11,
CBD Belapur, Navi Mumbai – 400 614

Mob: 9821 0327 20 | Tel:+91-22-2756 6533
Telefax: +91-22-2756 6534 | Website - <http://westec-india.com/>
E-mail: westecnavimumbai@vsnl.net